

Here are the updated and correct wiring diagrams for connecting any Kreyer fan unit we sell to the basic controller (GLY980).

Some things to note:

You can connect the fan unit power line at terminals 16, 17 or 18. The “min, med, max” has no effect, since the fan only runs at one speed.

Terminal 15 is where you connect the main power line to the controller. Terminal 14 is for the main ground.

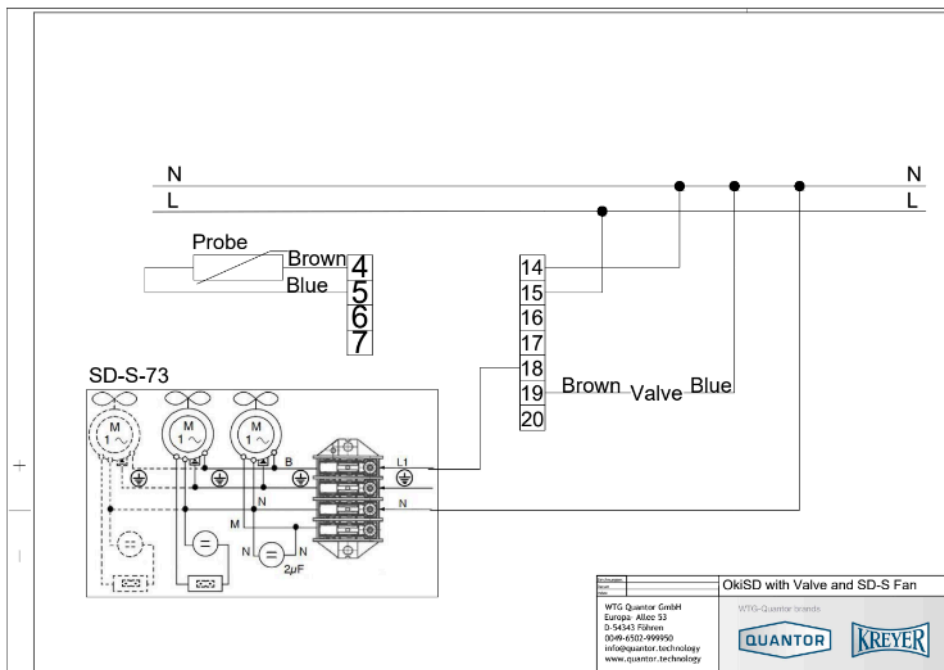
Terminal 19 is where you connect the power for the solenoid valve.

The solenoid valve, fan unit, and controller all connect to a common ground.

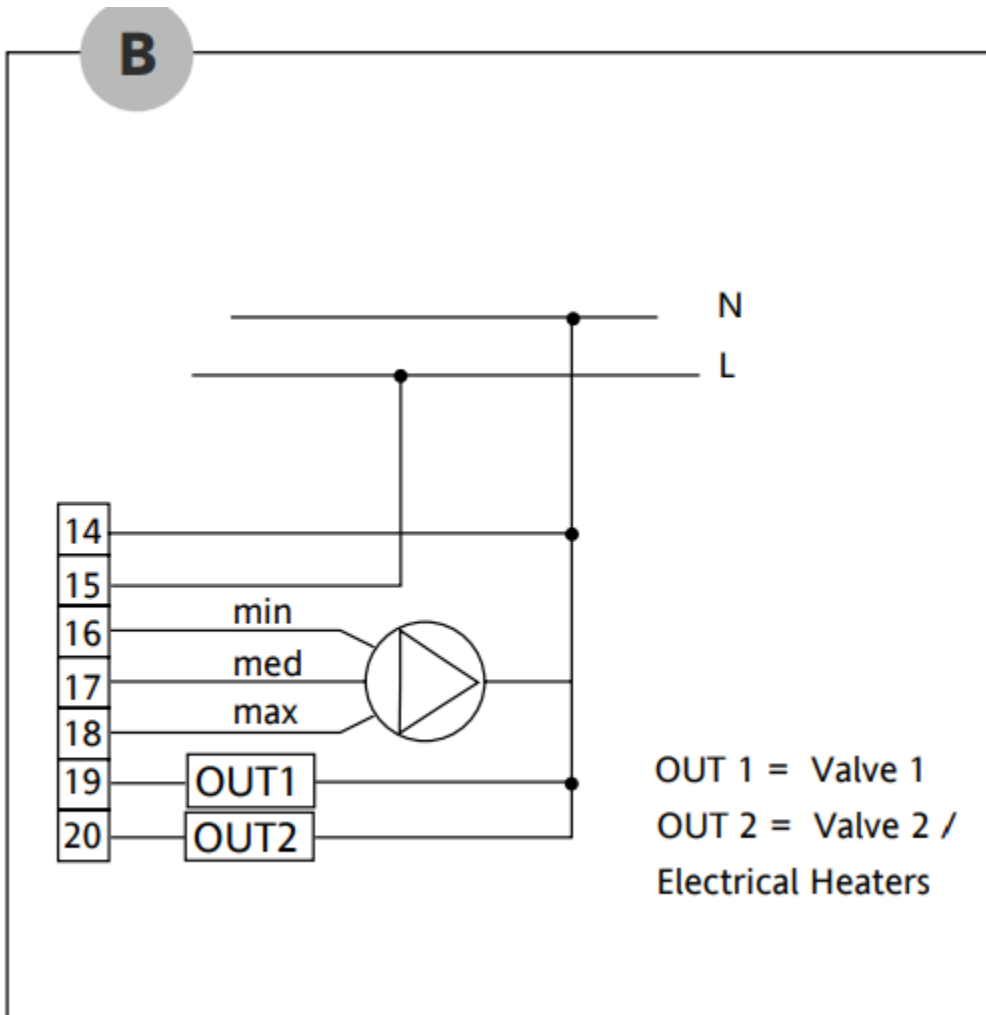
For more resources and pictures, see the file folder linked below:

[https://drive.google.com/drive/folders/1YkWb1WmAnzPWU80ieVey\\_vLMeBxPE1Cp](https://drive.google.com/drive/folders/1YkWb1WmAnzPWU80ieVey_vLMeBxPE1Cp)

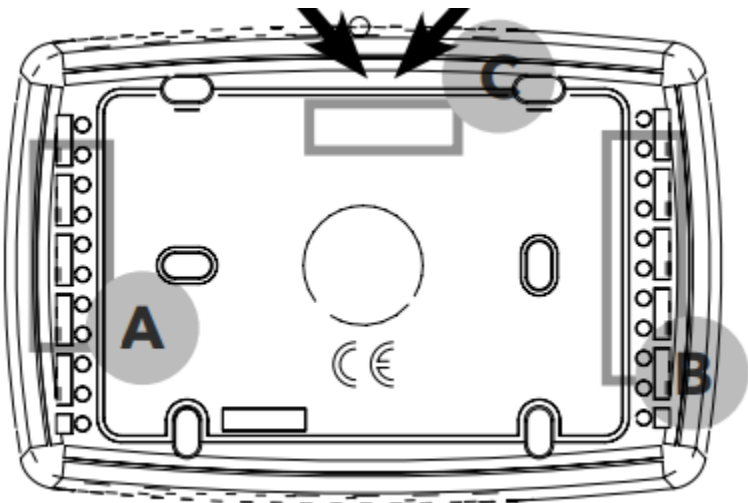
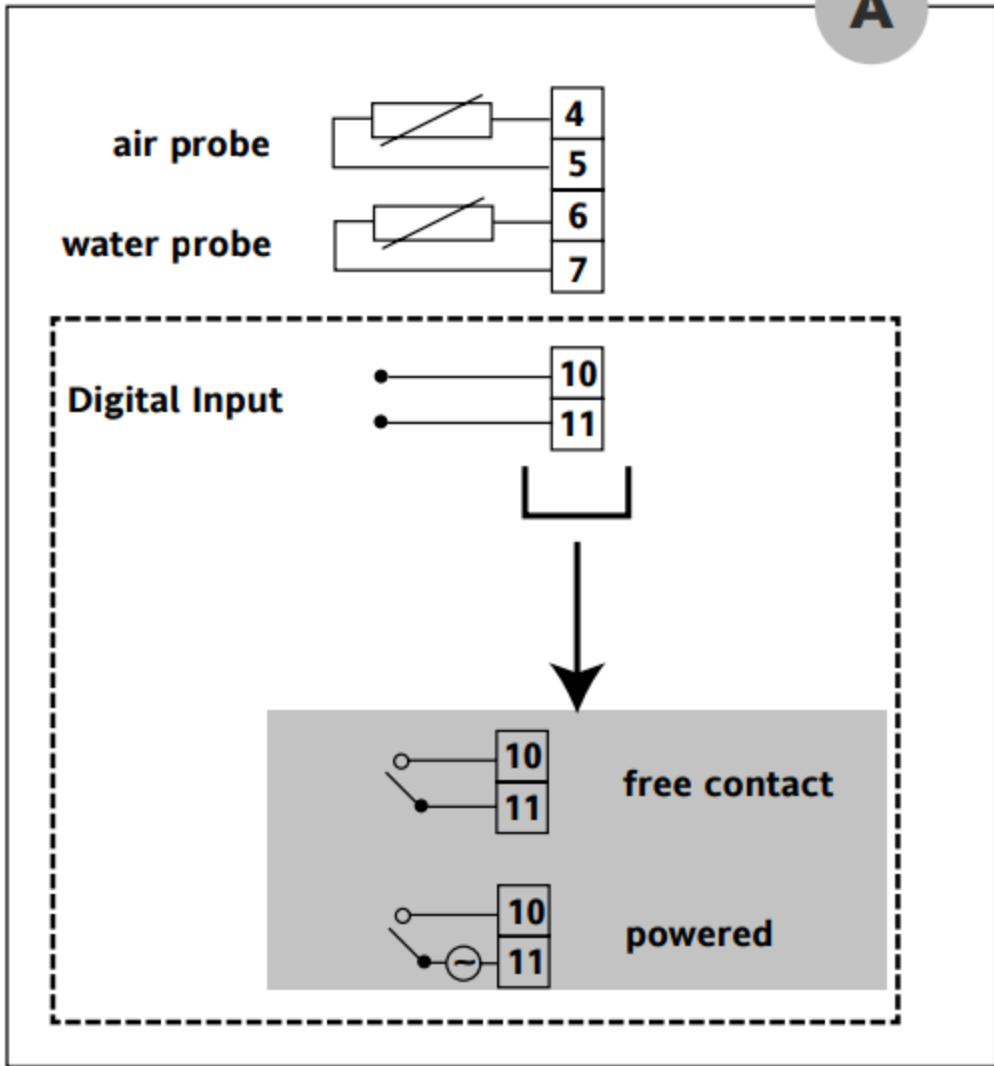
This diagram is from Kreyer and is updated since Nov 2023. They changed controllers in 2019 to an OKI-sd controller. We have that as GLY980.



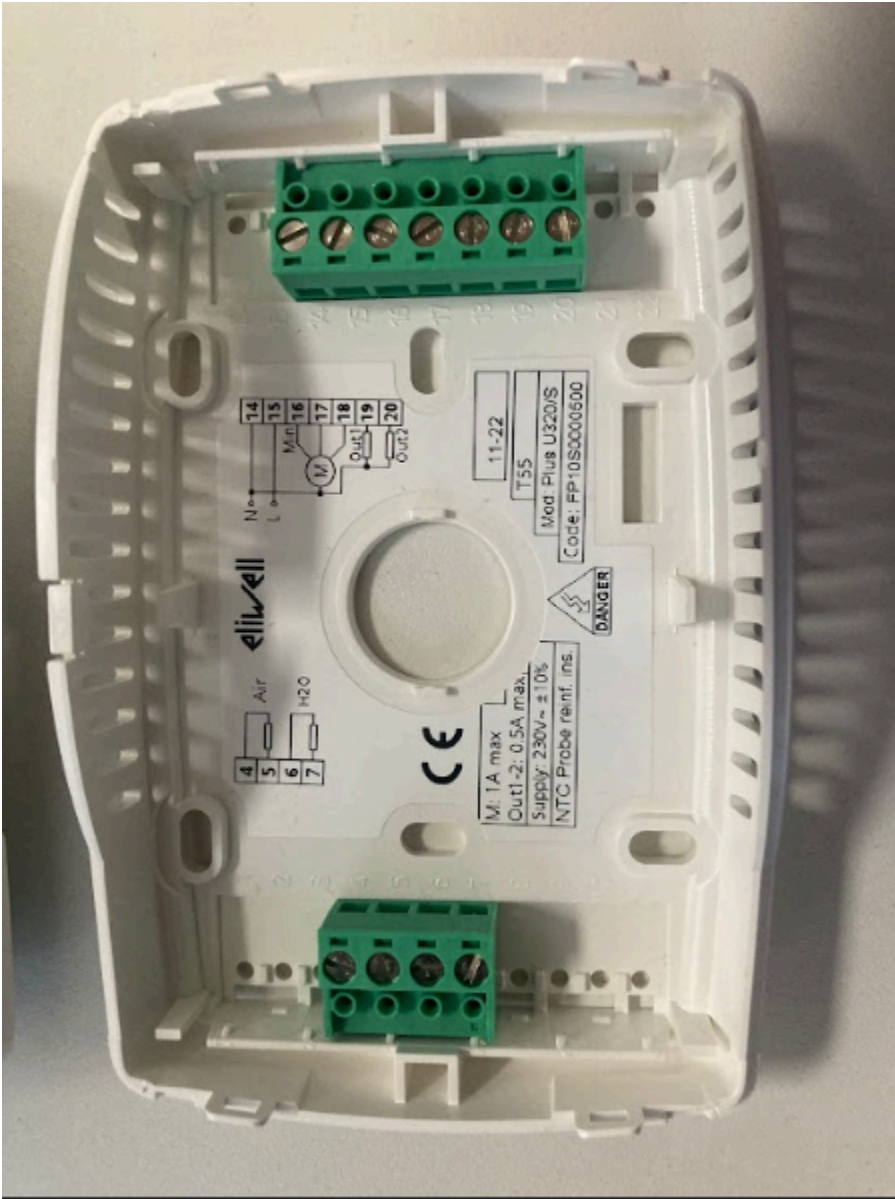
These diagrams are from the Eliwell controller instruction manual itself.



**A**



This is a photo of the terminals shown above.



In some cases, customers will be confused because there are multiple terminals on the actual fan unit. Send them this photo:

